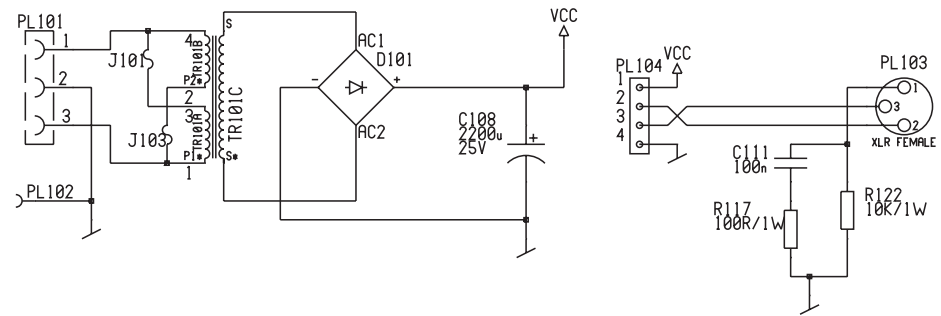
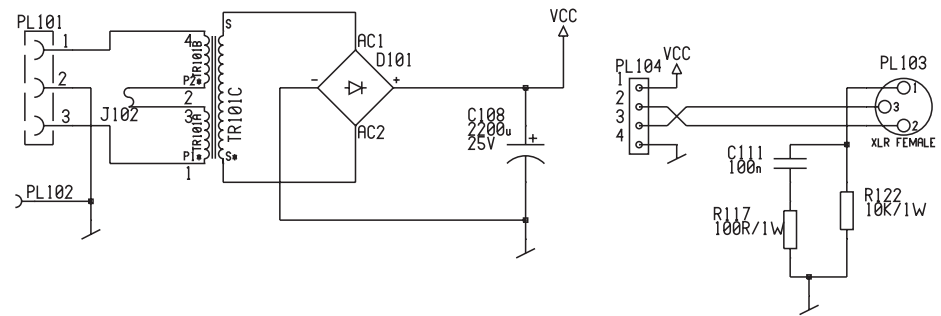


PRODUCT		ENG.	
MC-X CTRL MAINBOARD		Martin Professional A/S	
NAME		REVISION A0	PAGE 1 OF 1
62010013.SCH - 01101516A.PCB		DRAWN BY BH	
		DATE 11/04/00	TIME 12:55



PRODUCT		MC-SERIES 110V POWER SUPPLY		ENG. Martin Professional A/S	
NAME		62011508.SCH - 01103005A.PCB		REVISION A0	PAGE 1 OF 1
				DRAWN BY BH	
				DATE 11/04/00	TIME 12:54



PRODUCT		MC-SERIES 230V POWER SUPPLY		ENG. Martin Professional A/S	
NAME		62011507.SCH - 01103005A.PCB		REVISION A0	PAGE 1 OF 1
				DRAWN BY BH	
				DATE 11/04/00	TIME 12:54